

Showering just  
got **better...**

# *...better for being* **Grundfos**

**Grundfos Watermill** have been producing quality engineered products, combined with first class pre and post sales service, for over 40 years.

**Grundfos Watermill** shower pumps undergo rigorous 3 stage testing prior to leaving our factory, so whichever Grundfos product you select, you can be assured of quality, performance and safety.

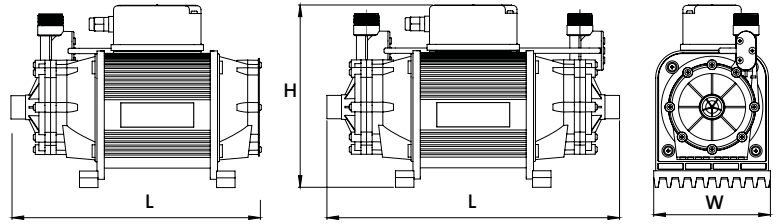
All **Grundfos Watermill** pumps conform to both UK and European standards, are backed by a comprehensive manufacturer's warranty and are supported by a Customer Service Department and Technical Helpline that are second to none.

**Grundfos Watermill** offer probably the widest and most comprehensive range of shower boosting solutions in the UK as well as a selection of Domestic Water products.

To find out more, ask your stockist, contact your local Sales Department or visit [www.grundfoswatermill.co.uk](http://www.grundfoswatermill.co.uk)

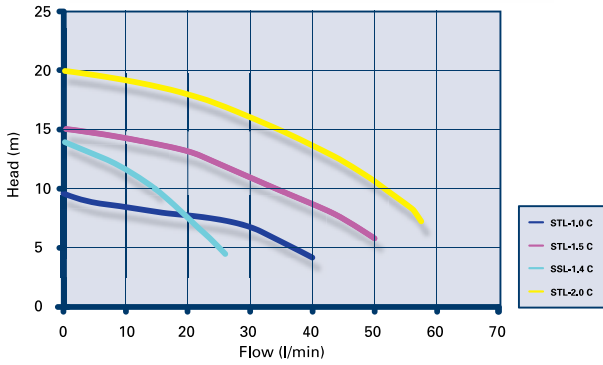


# Danube



SINGLE IMPELLER PUMP -  
SSL-1.4 C

TWIN IMPELLER PUMPS -  
STL-1.0 C, STL-1.5 C, STL-2.0 C

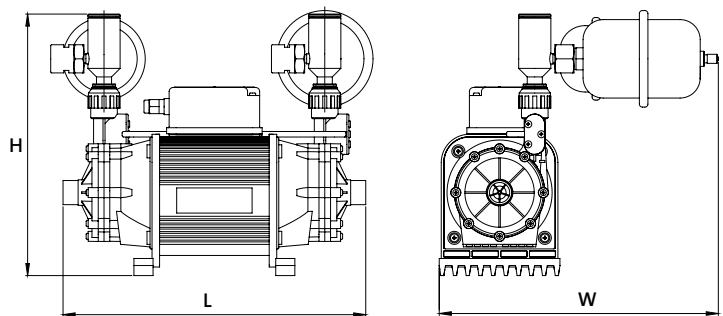


- Single & twin impeller
- Centrifugal range
- Supplied with stainless steel braided hoses
- WRAS compliant
- External transformer for ultimate safety
- Unique to the UK market
- 1.0 - 2.0 bar available
- 24 month automatic warranty (no need to register)

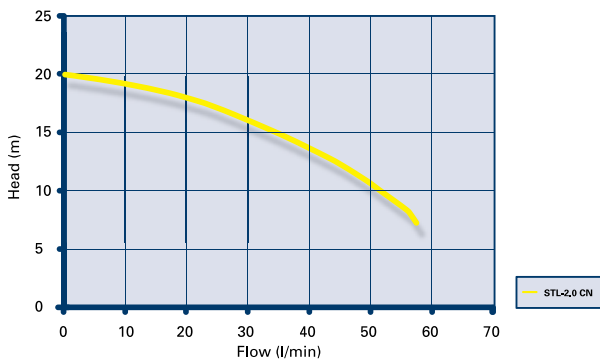
See page 11 for full technical details.



# Danube Universal



STL2.0CN



- Twin impeller
- Centrifugal range
- Supplied with stainless steel braided hoses
- WRAS compliant
- External transformer for ultimate safety
- Unique to the UK market
- 2.0 bar available
- Universal head
- 24 month automatic warranty (no need to register)

See page 11 for full technical details.

# Negative Head Kit

Manual pneumatic Negative head kits are available for the following products:

## Niagara Range

STC1.5C  
STC2.0C

## Nile Range

STR1.2C  
STR1.5C  
SSR1.5C

## Danube Range

STL1.0C  
SSL1.4C  
STL1.5C  
STL2.0C

All kits are supplied with Button, 7m hose and replacement terminal lid for pump.



08

# Surrey/York Flange

- Industry standard independent hot water supply for pump
- Reduced air (incorporates unique auto air vent)
- Reduced surging
- Reduces noise variations
- Reduces temperature fluctuations
- Automatically purges air from the hot water supply
- Ensures splutter-free showering
- Surrey Flange (15mm & 22mm available)
- 1" MI BSP x 3/4" FI outlet (Pumps up to 3 bar pressure)
- 1" MI BSP x 1/2" FI outlet (Pumps up to 1.5 bar pressure)
- York Flange (22mm available only)
- 1" FI BSP x 3/4" FI outlet (Pumps up to 3 bar pressure)



SURREY FLANGE



YORK FLANGE