

Space Saver

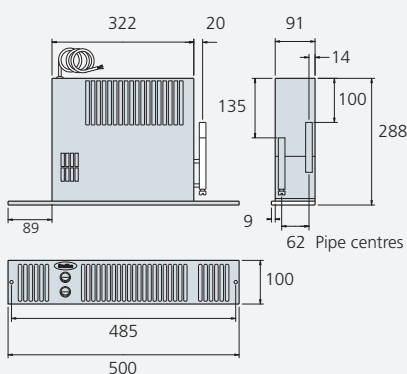
Domestic Applications

A highly energy efficient fan convector that fits neatly into the plinth of a kitchen unit. Space Saver eliminates the need for conventional radiators. And, as its name implies, this brings considerable space saving benefits – more room for extra storage units, more work surfaces, more space for kitchen appliances.

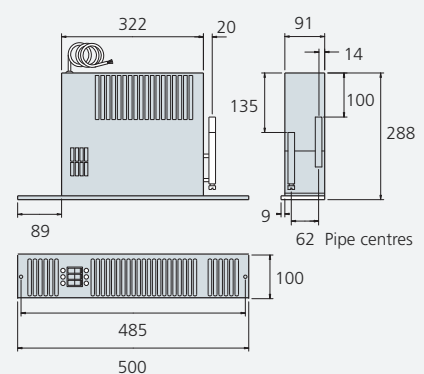
Space Saver is used predominantly for domestic applications where the ingenious plinth-mounting feature makes it ideal for heating kitchens, utility rooms and bathrooms. Plinth mounting also makes Space Saver ideal for certain non-domestic applications such as reception areas, changing rooms, libraries, etc.



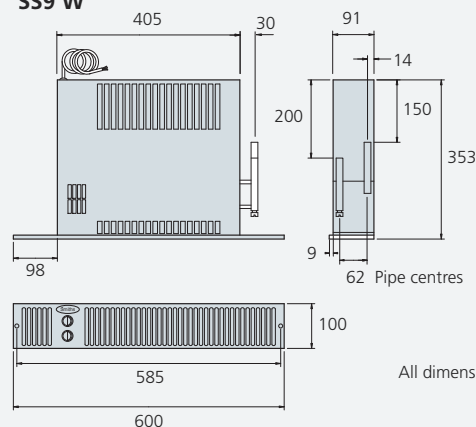
SS3 W, SS5 W, SS5 W/12V, SS7 W



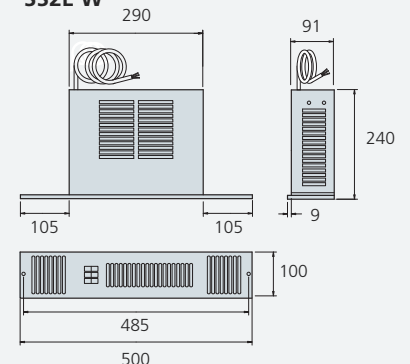
SS5 W/Dual



SS9 W



SS2E W



All dimensions in mm

Independent tests* show that fan convectors are at least 24% more energy efficient than a panel radiator in heating up a room.

*Tests carried out by BSRIA (Building Services Research and Information Association) in August 2008

Model	Room Size Guide* (m ³)	Heat Output Δt 60°C		Heat Output Δt 50°C		Sound Levels		Fascia Grille Colour	Fan-Only
		Normal kW (Btu/h)	Boost kW (Btu/h)	Normal kW (Btu/h)	Boost kW (Btu/h)	Normal (dBA)	Boost (dBA)		
Hydronic									
SS3 W	18	0.8 (2700)	0.9 (3100)	0.6 (2100)	0.8 (2700)	26	39	White	•
SS5 W	29	1.3 (4400)	1.7 (5800)	1.1 (3800)	1.4 (4700)	27	43	White	•
SS7 W	36	1.6 (5500)	1.9 (6500)	1.3 (4400)	1.6 (5500)	30	44	White	•
SS9 W	49	2.2 (7500)	2.4 (8200)	1.9 (6500)	2.1 (7200)	41	46	White	•
Hydronic Low Voltage									
SS5 W/12V	26	1.3 (4400)	1.7 (5800)	1.1 (3800)	1.4 (4700)	31	39	White	•
Hydronic/Electric (Dual)									
SS5 W/Dual	29	1.3 (4400)	1.7 (5800)	1.1 (3800)	1.4 (4700)	27	43	White	•
			1.0	–	1.0	–			
Electric									
SS2E W	22	1.0	2.0	1.0	2.0	42	42	White	•

In hydronic mode In electric mode

*Room sizes given in cubic metres for general guidance only based on normal heat output (Δt 60°C) for domestic applications - always calculate heat losses. Δt 60°C assumes a mean water temperature of 80°C and room temperature of 20°C. Δt 50°C assumes a mean water temperature of 70°C and room temperature of 20°C. Hydronic outputs tested in accordance with BS 4856. Fan-only option operational only when central heating system is switched off. Dual models include an electric element which in electric heating mode will emit 1kW of heat. Sound levels measured at 1.5m.

Model	Flow & Return Connections	Mains Cable	Transformer	Flexible Hoses	Isolating Valves	Fused Spur	Power Consumption		Water Capacity (Litres)
							Normal (Watts)	Boost (Watts)	
Hydronic									
SS3 W	15mm	2.0m	n/a	n/a	n/a	3A	16	25	0.34
SS5 W	15mm	2.0m	n/a	•	n/a	3A	21	30	0.36
SS7 W	15mm	2.0m	n/a	•	n/a	3A	21	30	0.38
SS9 W	15mm	2.0m	n/a	•	n/a	3A	24	35	0.43
Hydronic Low Voltage									
SS5 W/12V	15mm	0.45m	•	•	n/a	3A	21	30	0.36
Hydronic/Electric (Dual)									
SS5 W/Dual	15mm	2.0m	n/a	•	n/a	5A	21	30	0.36
							1012	1018	n/a
Electric									
SS2E W	n/a	2.0m	n/a	n/a	n/a	10A	1012	2025	n/a

In hydronic mode In electric mode

Fascia Grille Finish

Polyester powder-coated: white RAL 9010.

Installation

Important:

Correct fascia grille opening must be cut to allow sufficient air intake.

- 20mm clearance above unit required
- Model secured to plinth by two screws through fascia grille
- Unit must be earthed (not 12 volt SELV)
- Suitable for two-pipe central heating systems only

Accessories

Wall mounted room thermostat.

Overlay grilles: brown - RAL 8016, black - RAL 9005, brushed steel, chrome, aluminium, sovereign gold.

Commissioning

Check water temperature is hot enough to activate low temperature cut-out thermostat (LTC). Vent screw accessible through fascia grille.

Controls

SS2E W: three rocker switches, fan-off/fan-only, 1kW, 2kW.

Overheat protection: thermal cut-out. Manual reset procedure: switch power off at unit or mains, wait 5 minutes, switch power on.

SS5 W/Dual: three rocker switches, heating/off/fan-only, hydronic/electric, normal/boost.

Low temperature cut-out thermostat set to energise fan at approximately 42°C (108°F).

All other models: two rocker switches -normal/off/boost, heating/fan-only.

Low temperature cut-out thermostat set to energise fan at approximately 42°C (108°F).



Brown

Chrome



Sovereign Gold

Brushed Steel



Black

Aluminium

Overlay Grilles

Space Saver models are supplied with a fixed fascia grille in white. Overlay grilles are available in a selection of colours and finishes. The overlay grille simply fits over the fixed white grille and is held in position using the existing screws that fix the heater to the plinth.